

THIS DRAWING IS UNPUBLISHED.

RELEASED FOR PUBLICATION

2006

© COPYRIGHT 2006 BY -

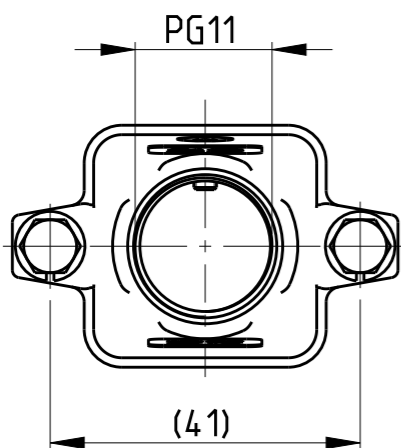
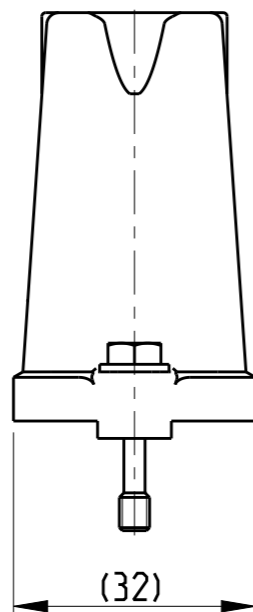
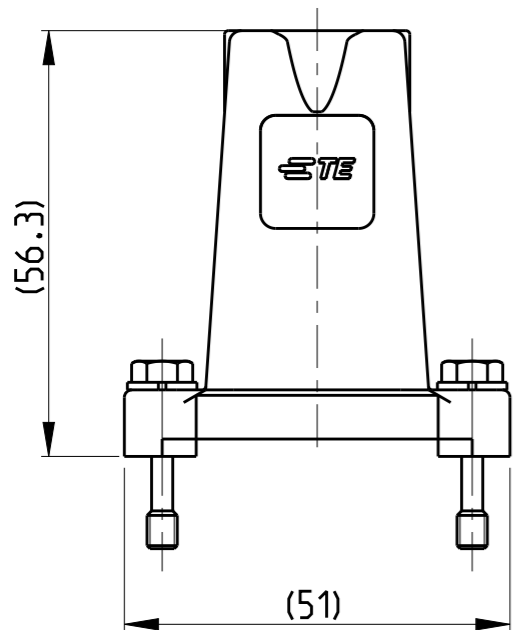
ALL RIGHTS RESERVED.

REVISIONS

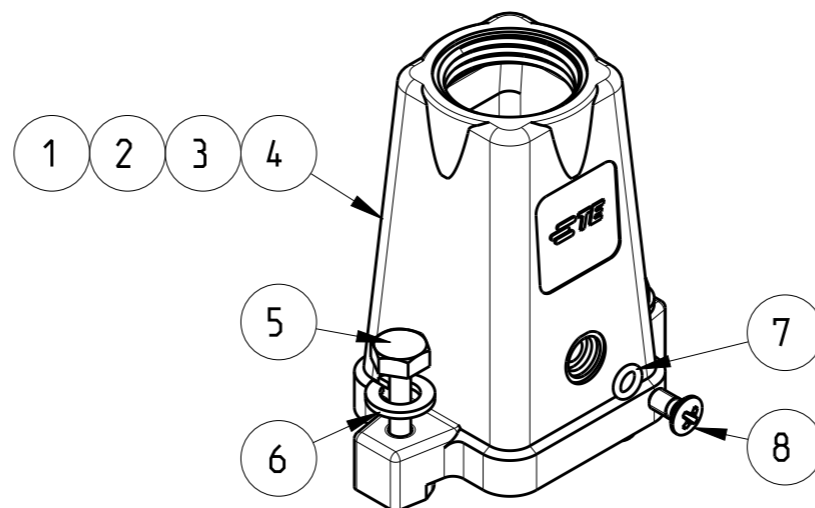
P	LTR	DESCRIPTION	DATE	DWN	APVD
A5		ECR-10-009092	22OCT2009	RO	BR
B		ECR-16-001855	29FEB2016	GCM	JB

Notes

- 1 SUITABLE HOUSINGS: SERIES HIP, SIZE 1
CUSTOMER DRAWING 1102600, 1106408
- 2 STANDARDS:
DIN EN 61984, DIN EN 60664-1
- 3 TOOL:
PHILLIPS SCREWDRIVER PH1.
HEXAGON SCREWDRIVER 7mm
- 4 VARNISH ON INSIDE AREA NOT
NECESSARY
- 5 PACKAGING:
10 SETS IN A CARTON, PRE-MOUNTED



PN 1-5 AS SHOWN

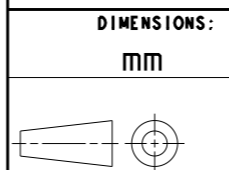


0-1102600-2	HIP-K.3/4.STO.1.11.G
2-1102600-5	HIP-K.3/4.STO.1.11.G
1-1102600-5	HIP.3/4.STO.1.11.G
PART NO.	ORDERING TEXT

0-2	2-5	1-5	DESCRIPTION	MATERIAL	COLOR/SURFACE	NOTE	ITEM
1	1	1	SREW COUNTERSUNK RAISED HEAD	STAINL.STEEL	V2A	M3x6 PH1 DIN EN ISO 7047	8
1	1	1	O - RING	NBR	BLACK	3.0x1.0	7
2	2	2	WASHER, PLAIN	STAINL.STEEL	BLANK	A4, DIN EN ISO 7089, 200HV	6
2	2	2	SCREW, HEXAGON BOLT	STAINL.STEEL	BLANK	M4x22 DIN EN ISO 7964, REDUCED SHUNK	5
1	-	-	CONNECTOR HOUSING	ALU	YELLOW	SERIES HIP-K	4
-	1	-	CONNECTOR HOUSING	ALU	BLACK	SERIES HIP-K	2
-	-	1	CONNECTOR HOUSING	ALU	GREY	SERIES HIP	1

PARTS LIST (PER ONE UNIT)

THIS DRAWING IS A CONTROLLED DOCUMENT.



MATERIAL -

TOLERANCES UNLESS OTHERWISE SPECIFIED:

0 PLC ±

1 PLC ±

2 PLC ±

3 PLC ±

4 PLC ±

ANGLES ±1°

FINISH -

DWN V.Glumm 06AUG2009

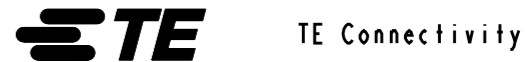
CHK H.Braun 06AUG2009

APVD T.Schnurfeil 06AUG2009

PRODUCT SPEC -

APPLICATION SPEC -

WEIGHT -



NAME CONNECTOR HOUSING ASS'Y, TOP ENTRY
SERIES HIP, SIZE 1, PG11

SIZE A3 CAGE CODE 00779 DRAWING NO C-1102600 RESTRICTED TO -

CUSTOMER DRAWING SCALE 1:1 SHEET 1 OF 1 REV B