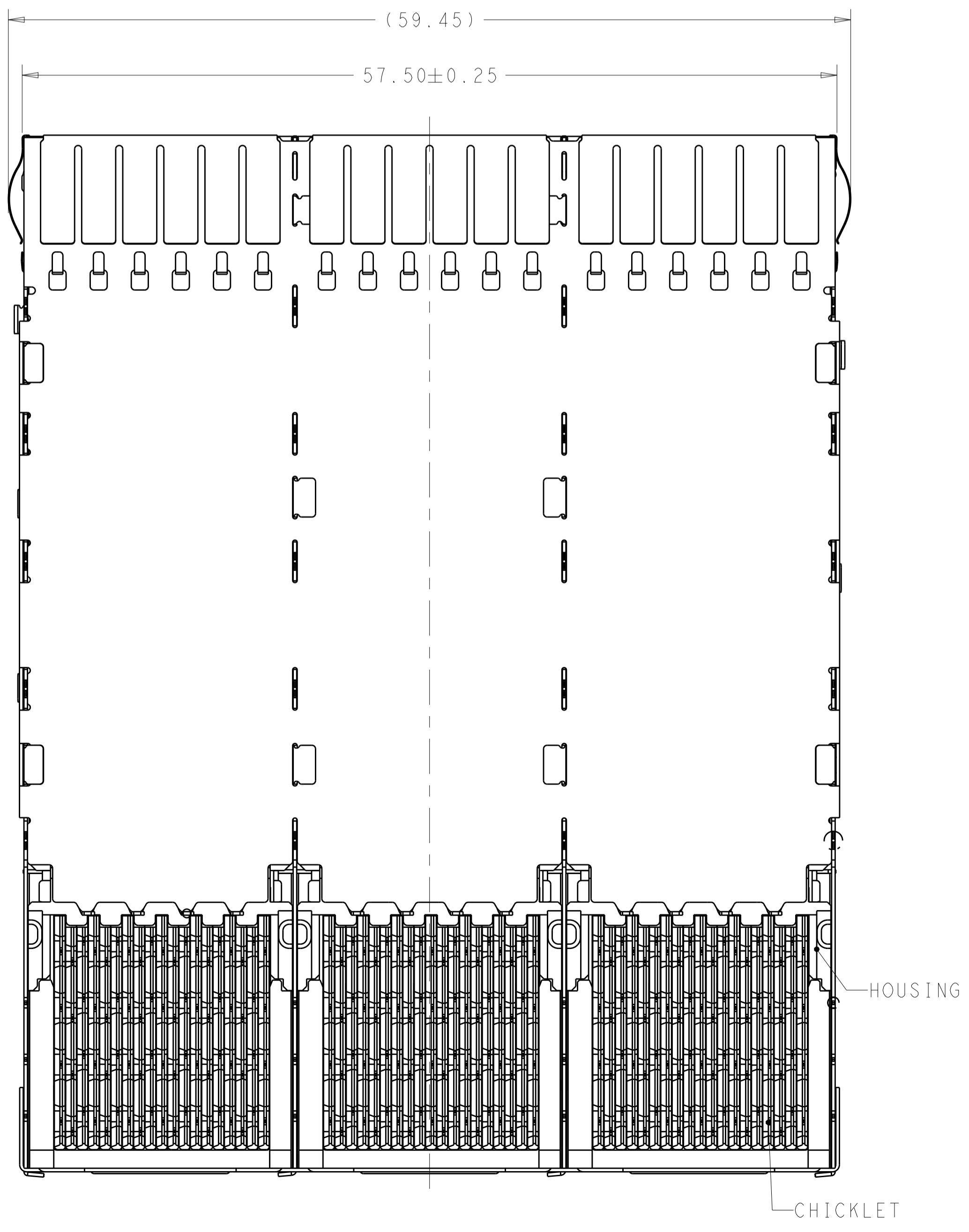
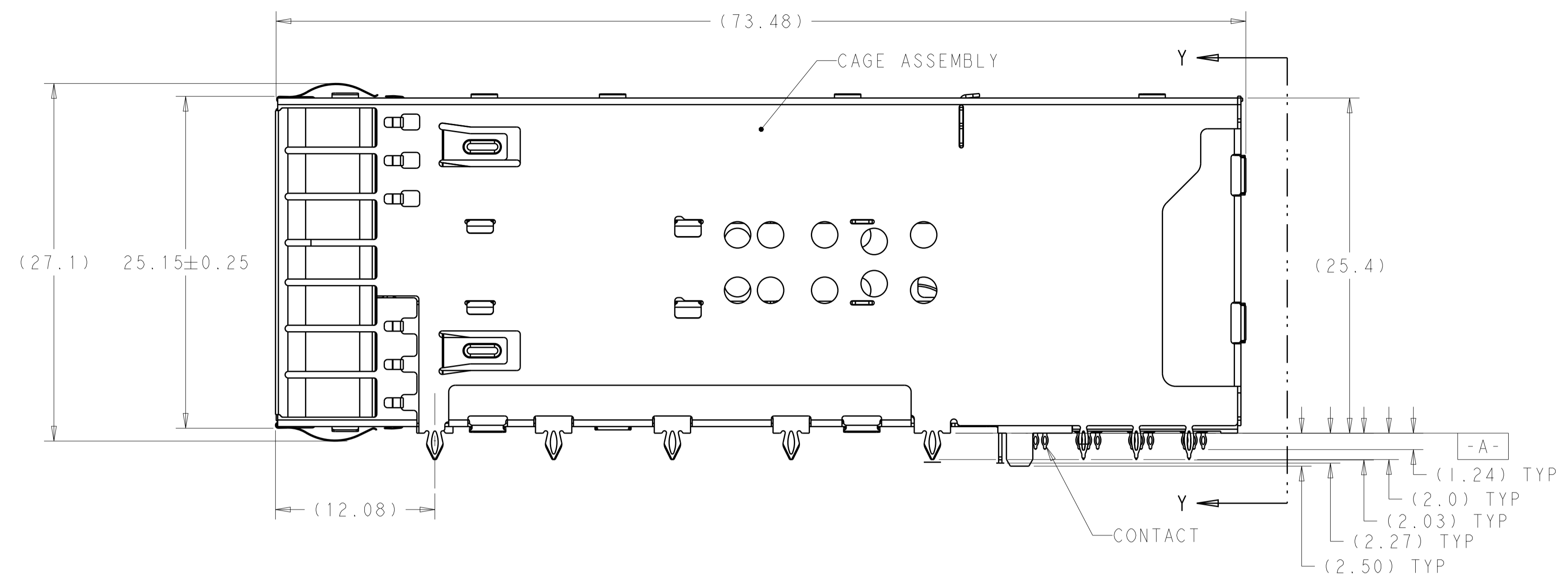
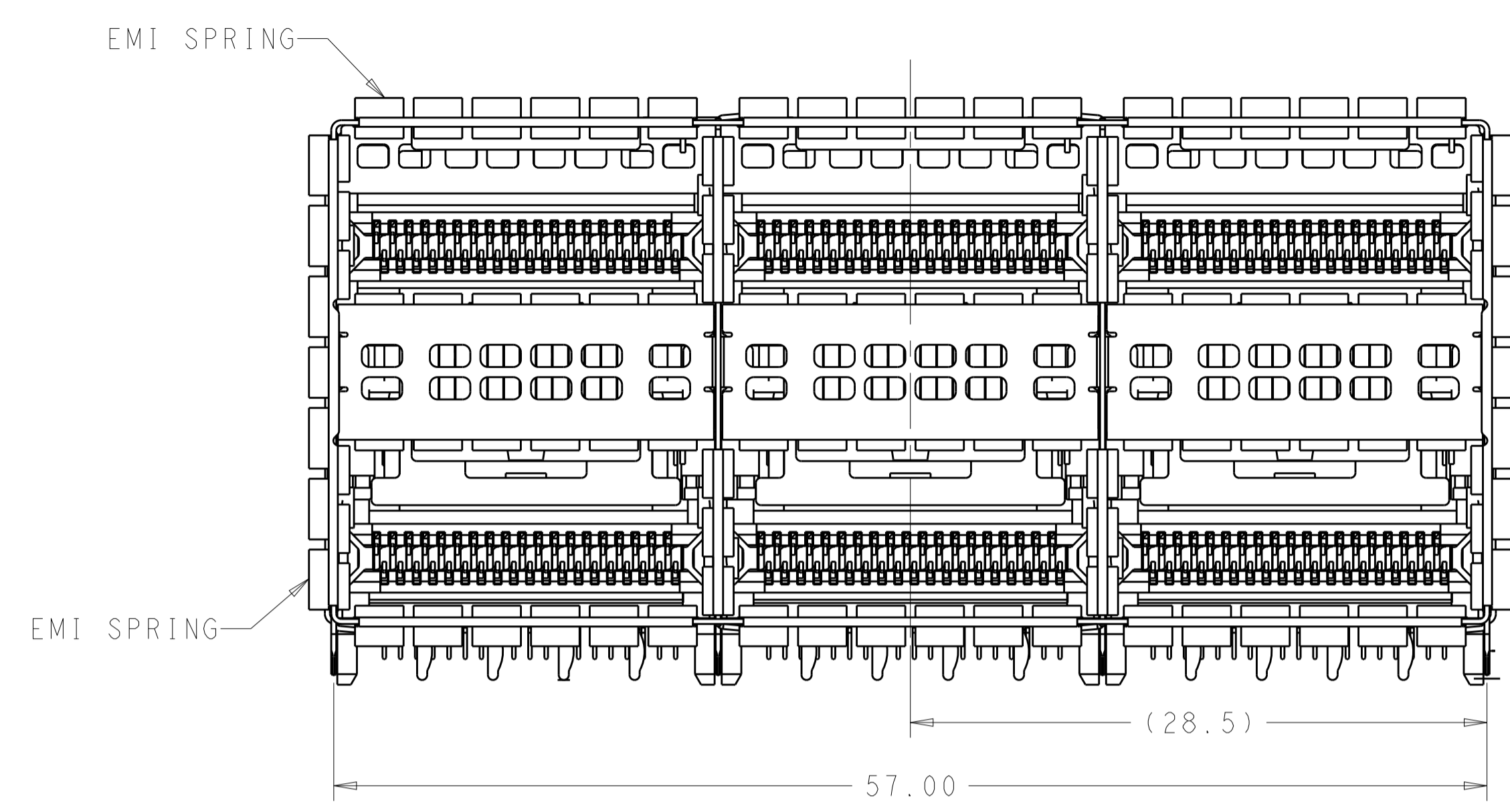


LOC		DIST		REVISIONS			
GP	00	P	LTN	DESCRIPTION	DATE	DWN	APVD
		A		RELEASED FOR PRODUCTION	07MAR2016	TX	SH



- MATERIALS:
 CAGE ASSEMBLY- NICKEL SILVER ALLOY PER ASTM B 122.
 EMI SPRING- COPPER ALLOY, NICKEL PLATED.
 HOUSING- POLYESTER LCP WITH 94 V-0.
 CHICKLET- POLYESTER LCP WITH 94 V-0.
 CONTACT- COPPER ALLOY.
 LIGHTPIPE- POLYCARBONATE WITH 94 V-0.
- CONTACT FINISH: 0.76µm GOLD ON MATING END, 1.25µm TIN ON SOLDER TAIL, ALL OVER 1.27µm NICKEL.
- DATUM AND BASIC DIMENSION ESTABLISHED BY CUSTOMER.
- MINIMUM PCB THICKNESS OF 1.57.
- THE ENTIRE AREA OF THE CONNECTOR FOOTPRINT, INDICATED BY THE DASHED LINE, TO BE CONSIDERED THE KEEPOUT AREA FOR COMPONENTS.
- CROSS-HATCHED AREAS REPRESENT ZONES ON THE PCB THAT COME IN CONTACT WITH OR BE IN CLOSE PROXIMITY TO THE PLASTIC HOUSING OR THE CONNECTOR CAGE. INDICATED AREAS TO BE CONSIDERED TRACE FREE.
- PART NUMBER AND DATE CODE MADE IN APPROXIMATE AREA SHOWN.
- THESE HOLES ARE OPTIONAL WHEN PINS ON BACK OF CAGE ARE REMOVED.
- CONTACT FINISH: 0.08µm MINIMUM GOLD OVER 0.68µm PALLADIUM-NICKEL ON MATING END, 1.25µm TIN ON SOLDER TAIL, ALL OVER 1.27µm NICKEL.

CONTACT FINISH	DESCRIPTION	PART NUMBER
9	LEFT INDICATOR DOWN	2227668-6
9	LEFT INDICATOR UP	2227668-5
9	NO LIGHTPIPE	2227668-4
2	LEFT INDICATOR DOWN	2227668-3
2	LEFT INDICATOR UP	2227668-2
2	NO LIGHTPIPE	2227668-1

THIS DRAWING IS A CONTROLLED DOCUMENT.

DWN: M. SHIRK 18JAN2013
 CHK: D. SZCZESNY 18JAN2013
 APVD: -

DIMENSIONS: mm

TOLERANCES UNLESS OTHERWISE SPECIFIED:
 0 PLC ±
 1 PLC ±0.25
 2 PLC ±0.15
 3 PLC ±
 4 PLC ±
 ANGLES ±
 FINISH ±

PRODUCT SPEC: 108-60102
 APPLICATION SPEC: 114-60015

WEIGHT: -
 CUSTOMER DRAWING

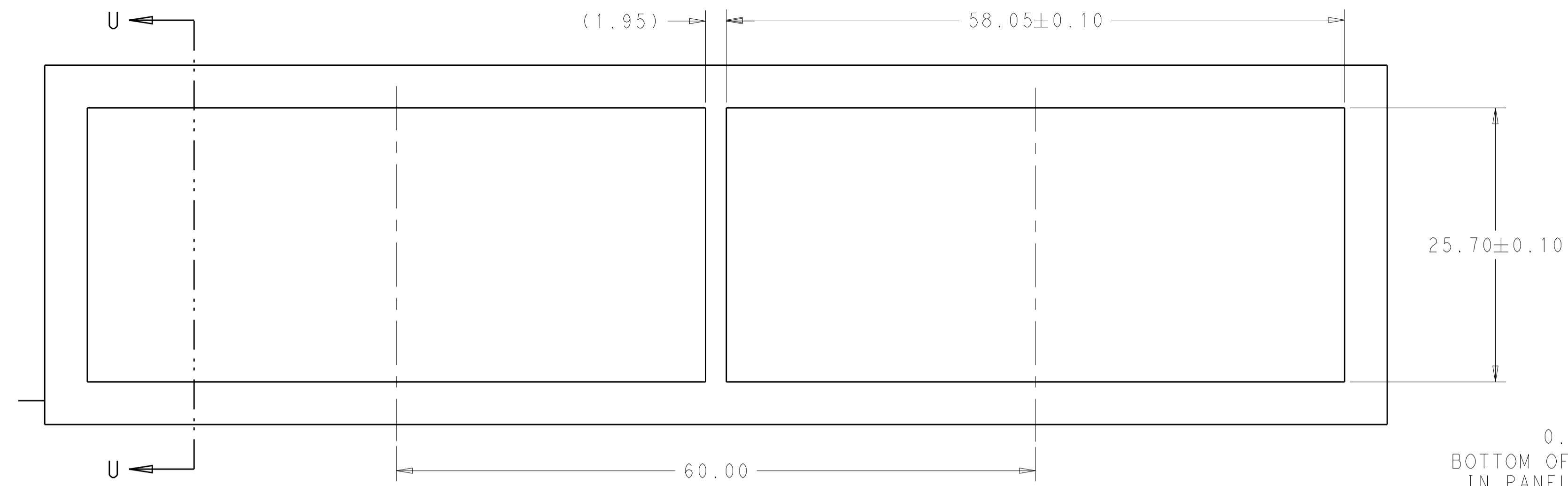
NAME: CAGE AND CONNECTOR ASSEMBLY, WITH EMI GASKET, THRU BEZEL, 2X3, ZQSFP+ STACKED

SIZE: A1
 CAGE CODE: 100779
 DRAWING NO: 2227668

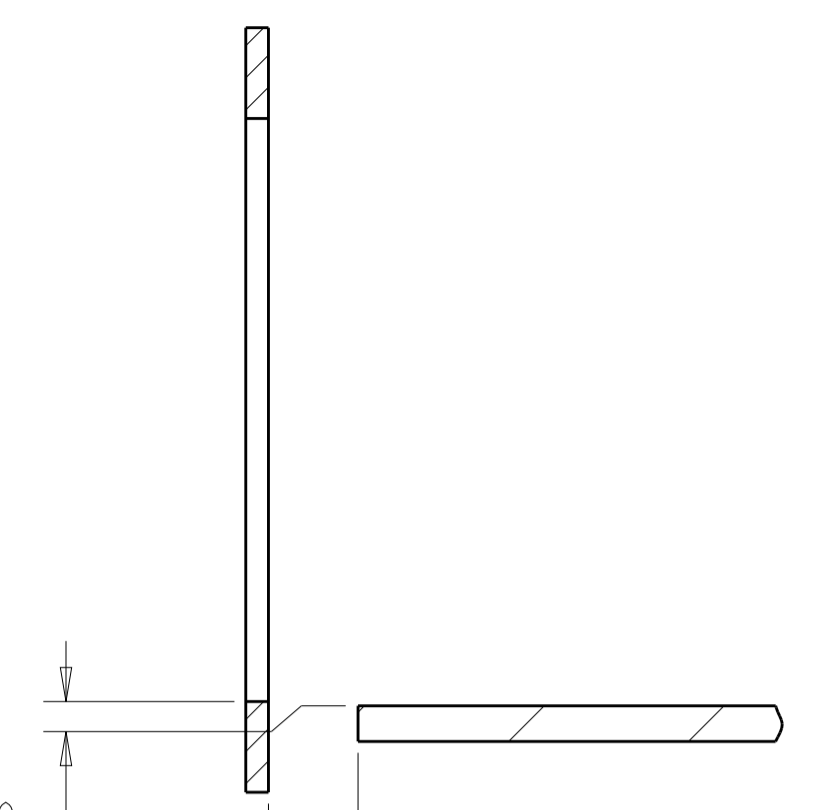
RESTRICTED TO: -

SCALE: 4:1 SHEET 1 OF 4 REV A

LOC	DIST	REV	DATE	BY	APPV
		1			

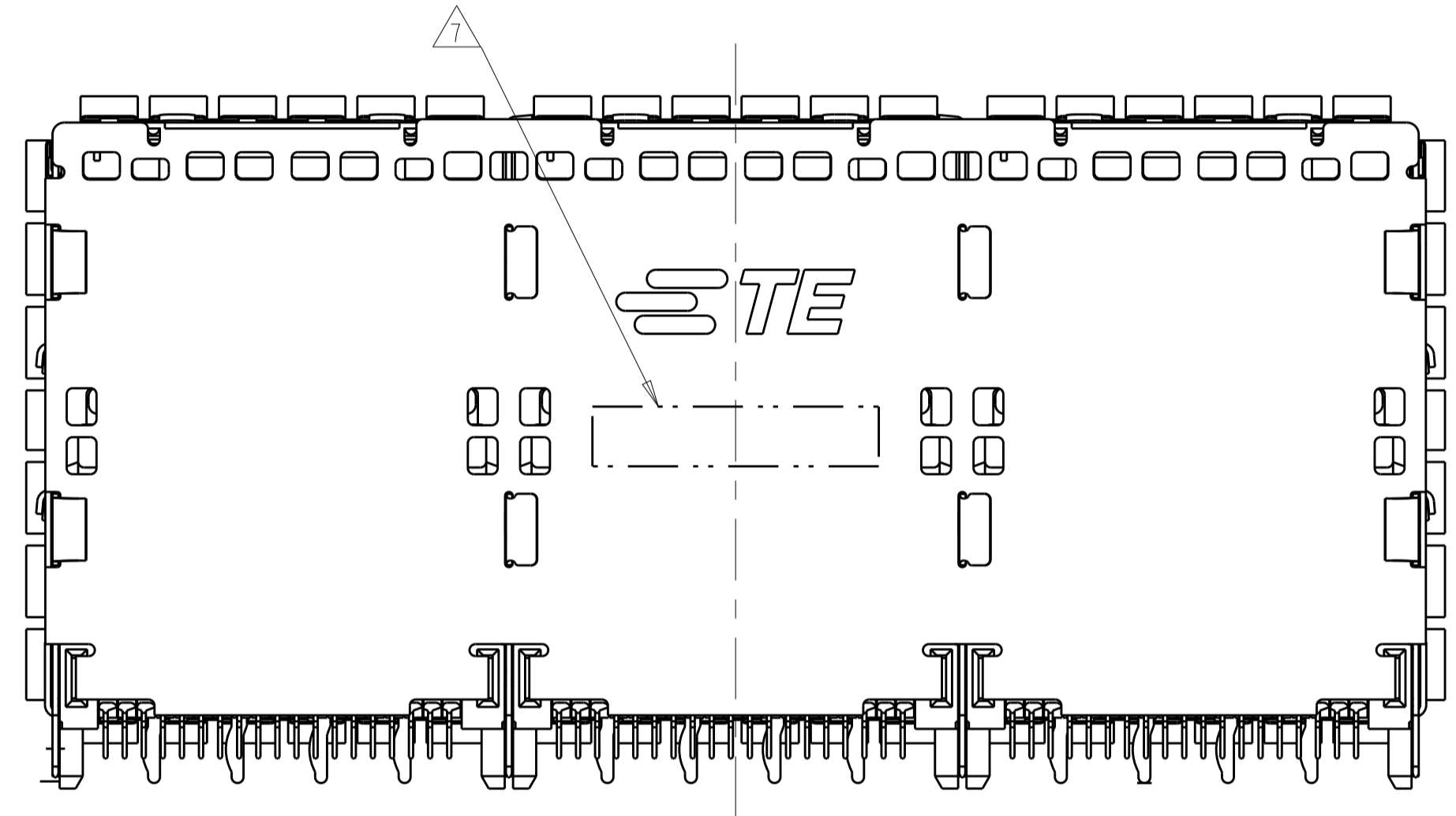


RECOMMENDED PANEL CUTOUT AND PC BOARD, PANEL POSITION
 SCALE 3:1

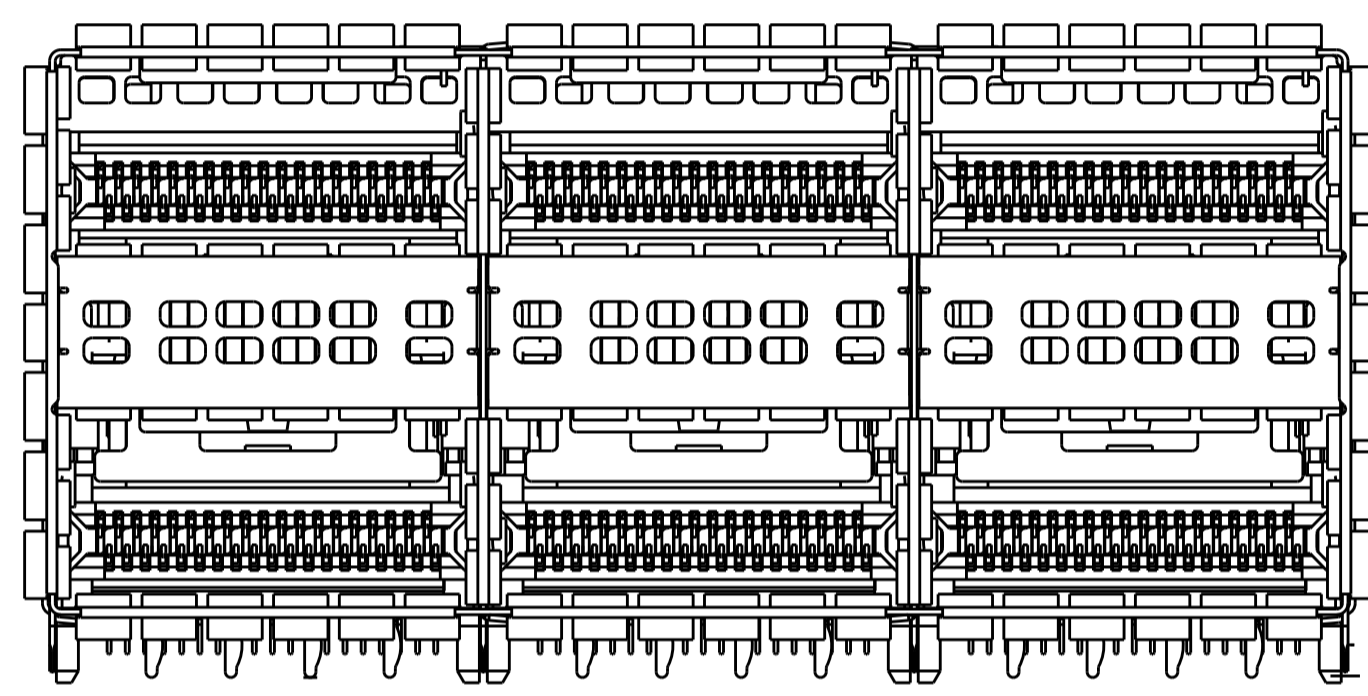


0.10 ± 0.10
 BOTTOM OF CUTOUT IN PANEL TO TOP OF PC BOARD
 3.95 ± 0.13
 DISTANCE BETWEEN BACK OF PANEL AND FRONT OF PC BOARD

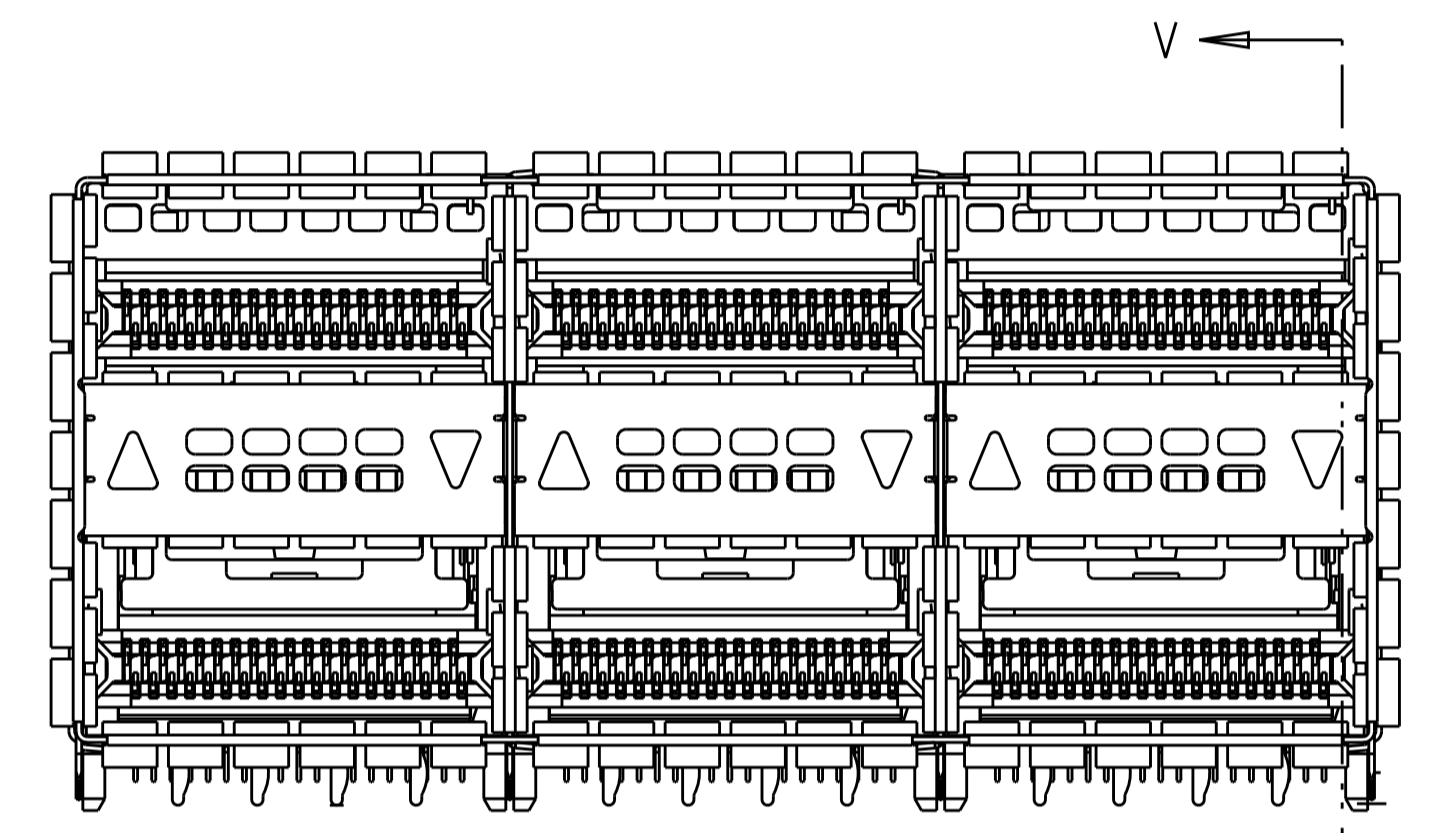
SECTION U-U



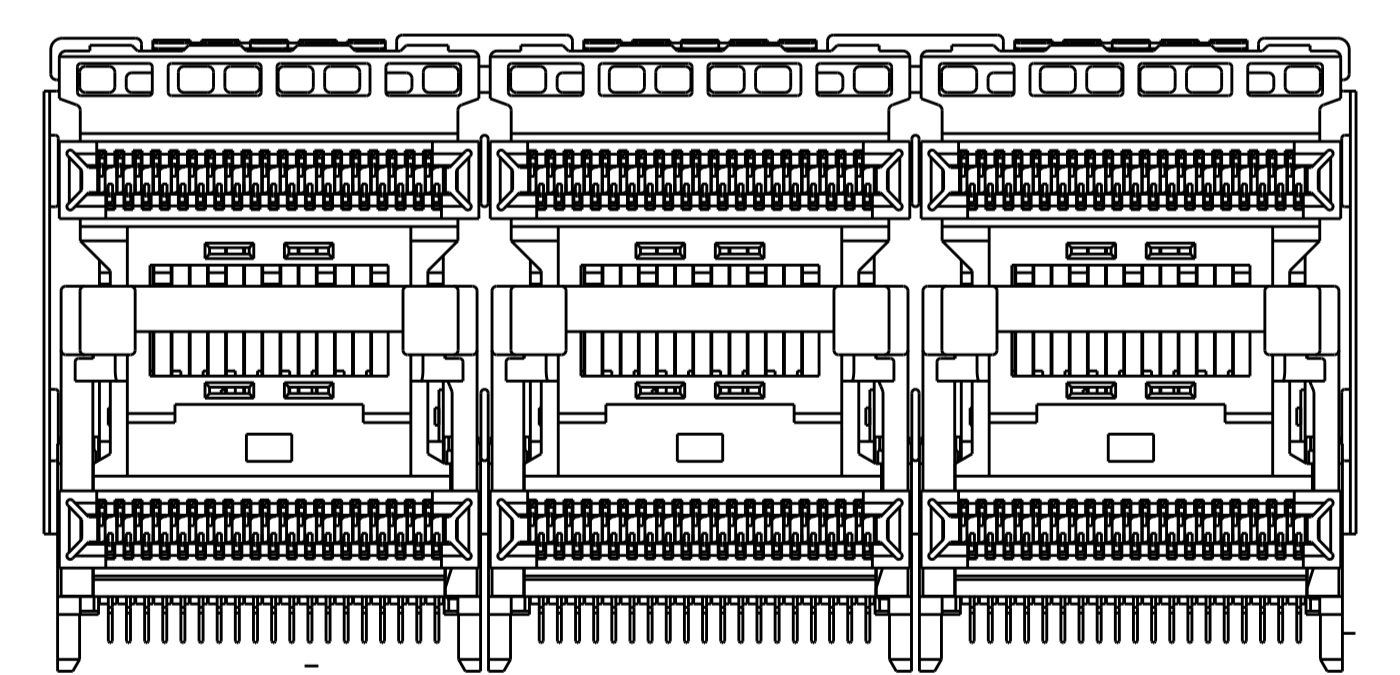
VIEW Y-Y



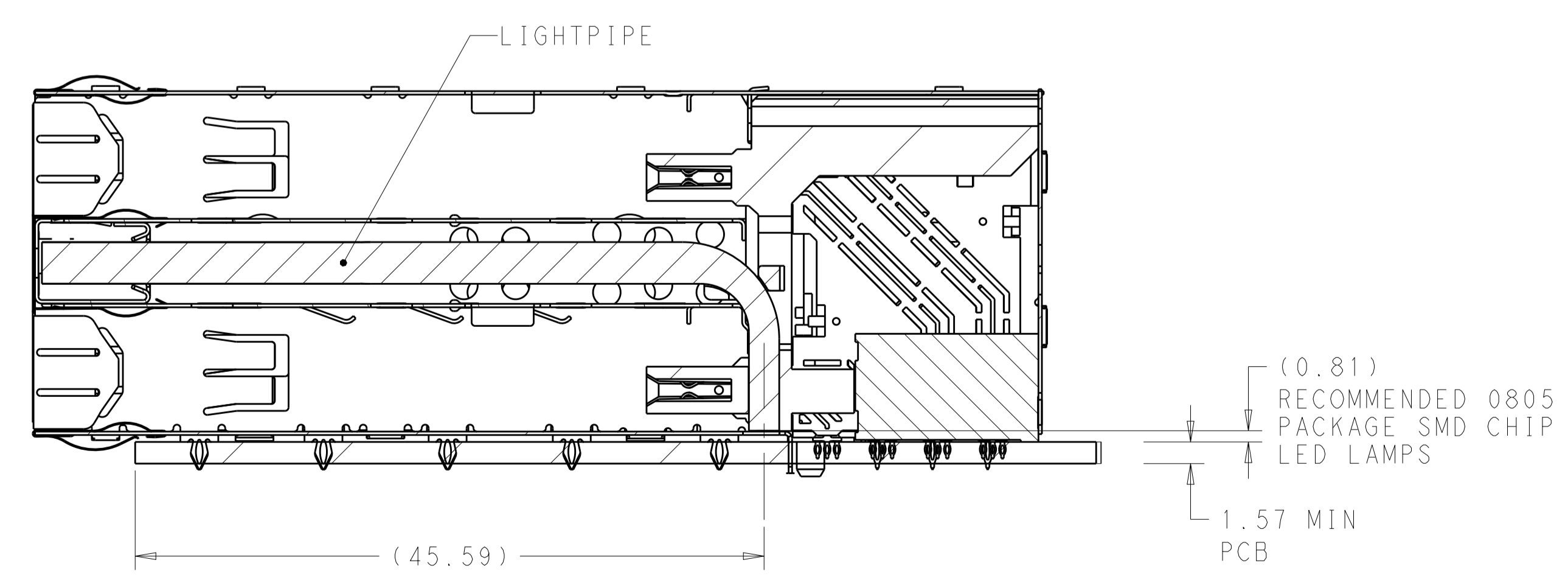
2227668-1/4
 NO LIGHTPIPE IN ASSEMBLY
 SCALE 3:1



2227668-2/5
 LEFT LIGHTPIPE INDICATOR POINTING TO UPPER PORT
 SCALE 3:1



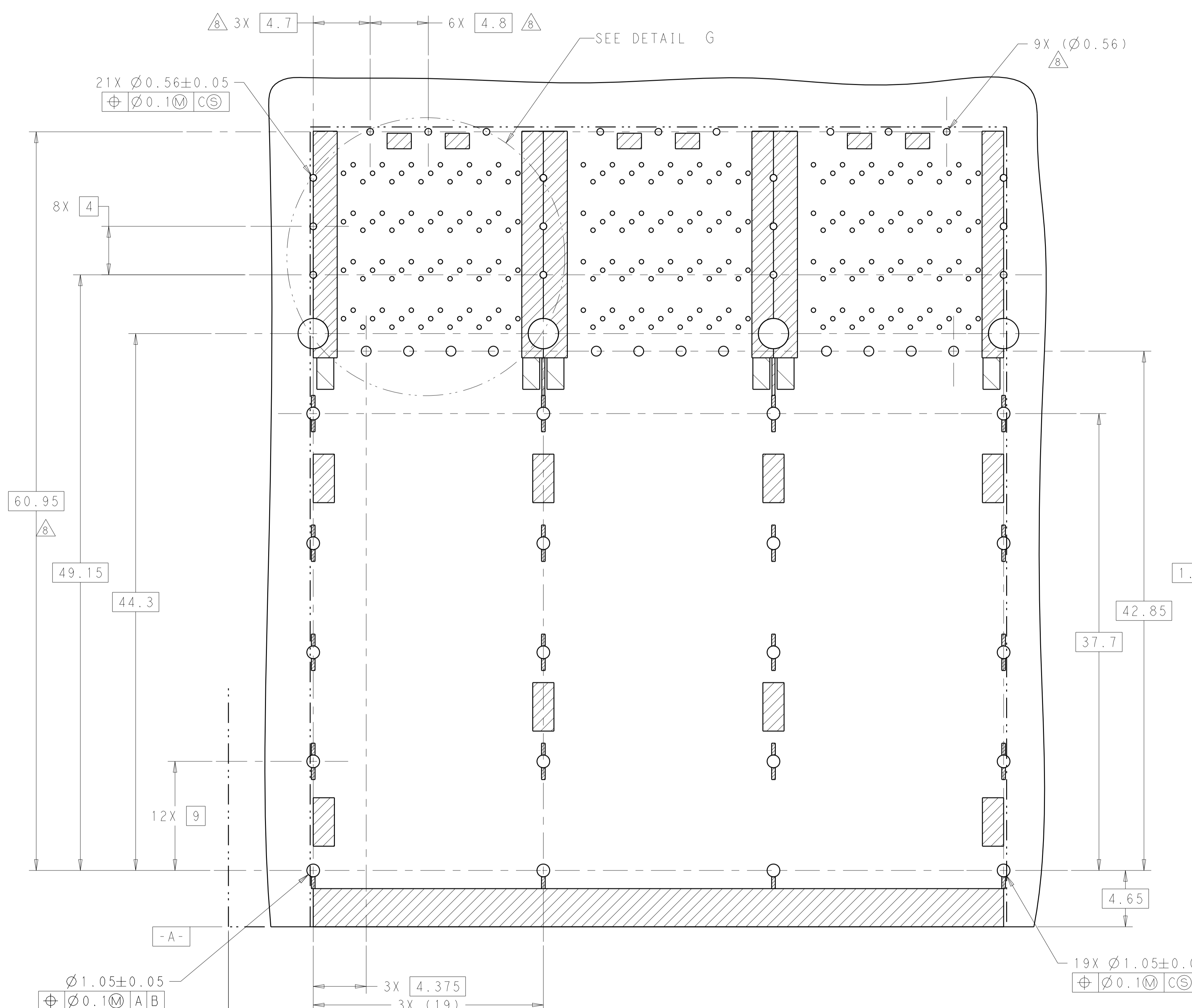
2227668-3/6
 LEFT LIGHTPIPE INDICATOR POINTING TO LOWER PORT
 SCALE 3:1



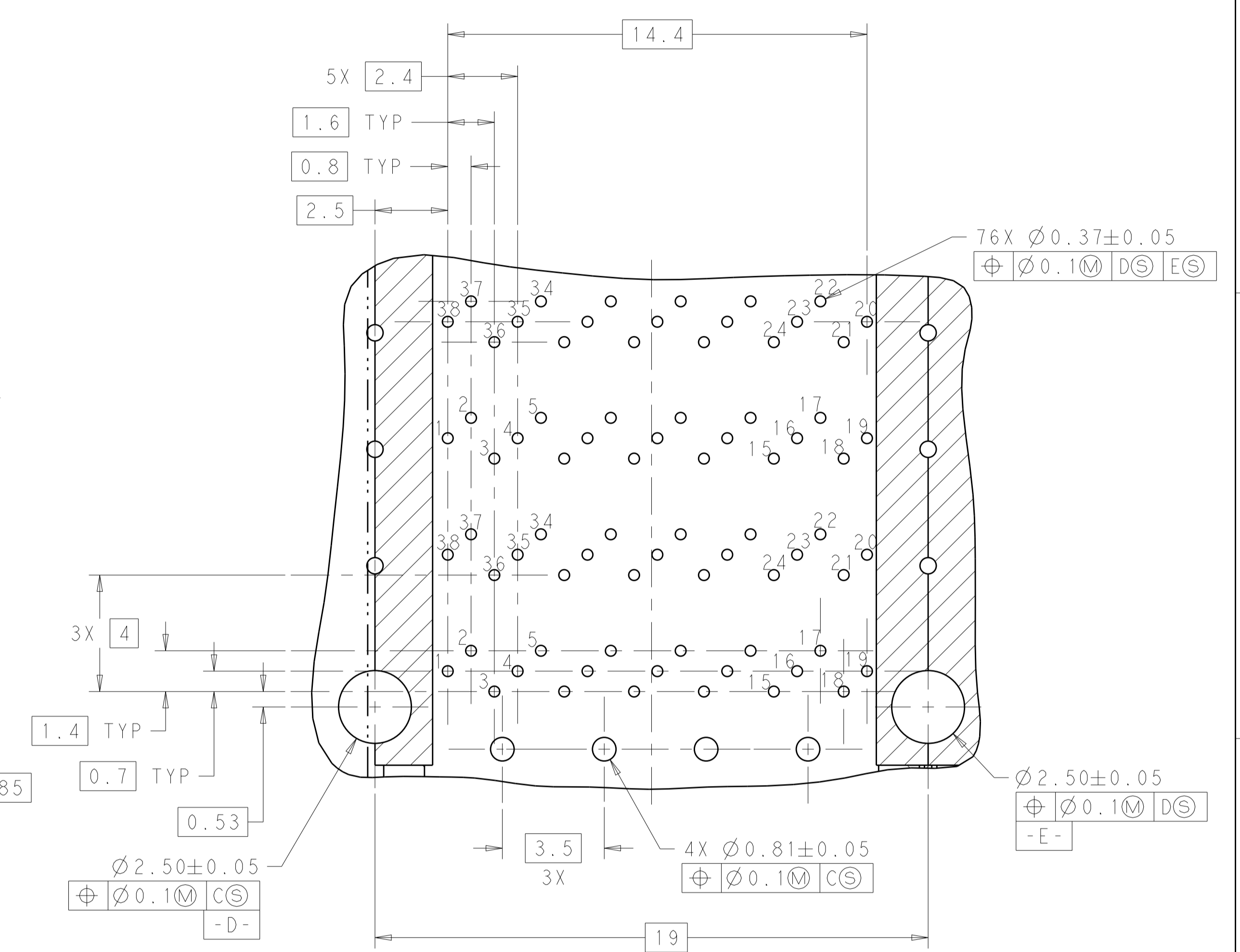
SECTION V-V
 SCALE 3:1

THIS DRAWING IS A CONTROLLED DOCUMENT.		DWN: M. SHIRK 18JAN2013	TE Connectivity
TOLERANCES UNLESS OTHERWISE SPECIFIED:		CHK: D. SZCZESNY 18JAN2013	
DIMENSIONS:	mm	APVD:	NAME:
0 PLC	±	PRODUCT SPEC	CAGE AND CONNECTOR ASSEMBLY,
1 PLC	±0.25	108-60102	WITH EMI GASKET, THRU BEZEL, 2X3,
2 PLC	±0.15	APPLICATION SPEC	ZQSFP+ STACKED
3 PLC	±	SIZE	114-60015
4 PLC	±	WEIGHT	A100779C=2227668
ANGLES	±	CUSTOMER DRAWING	SCALE 4:1 SHEET 2 OF 4 REV A
MATERIAL	FINISH	SEE NOTE 1	SEE NOTE 2

LOC		DIST		REVISIONS			
P	LTN	DESCRIPTION	DATE	DWN	APVD		
-	-	SEE SHEET 1	-	-	-		



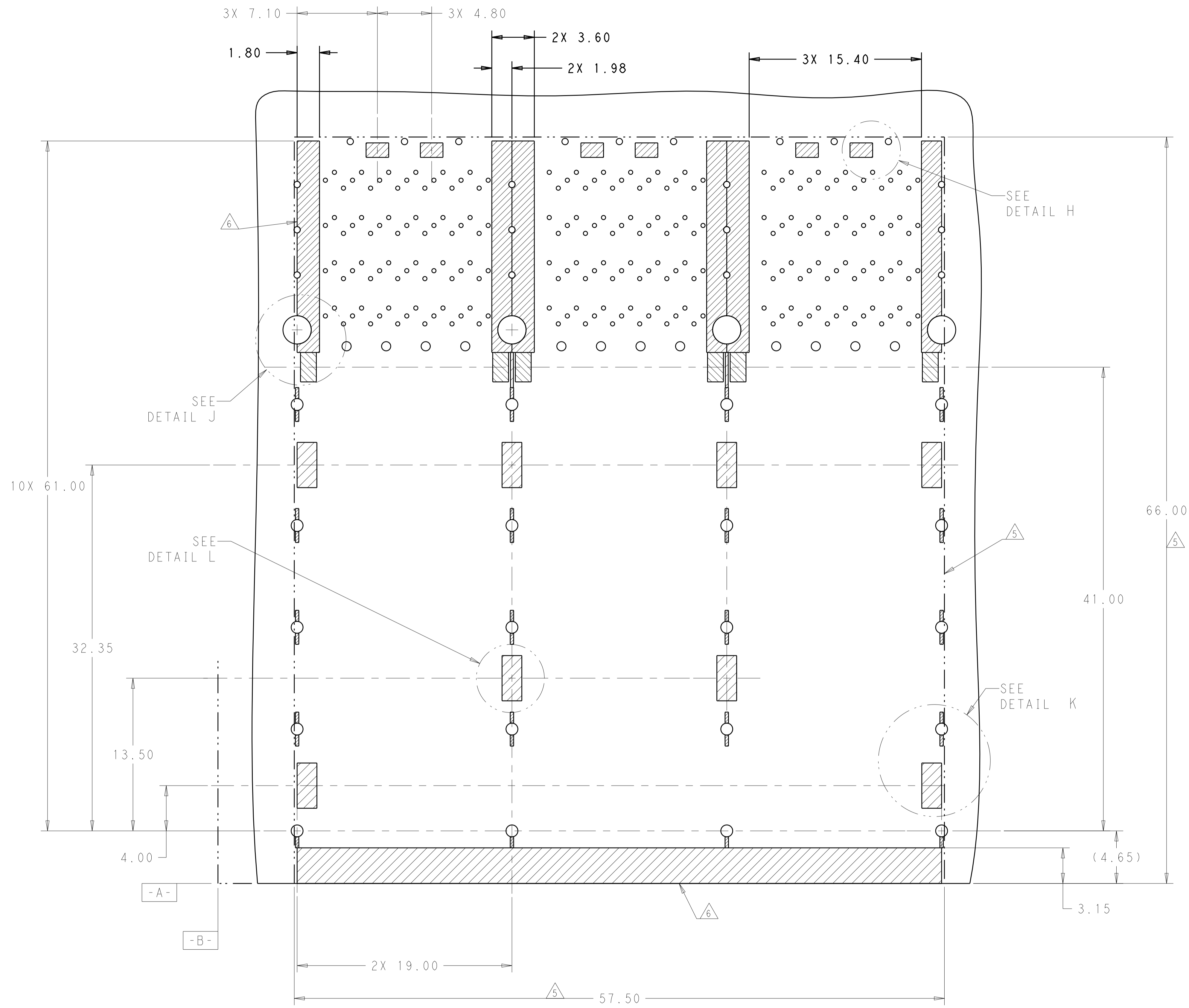
RECOMMENDED PC BOARD LAYOUT
 COMPONENT SIDE OF BOARD
 PCB TOLERANCE: ± 0.05
 SCALE 5:1



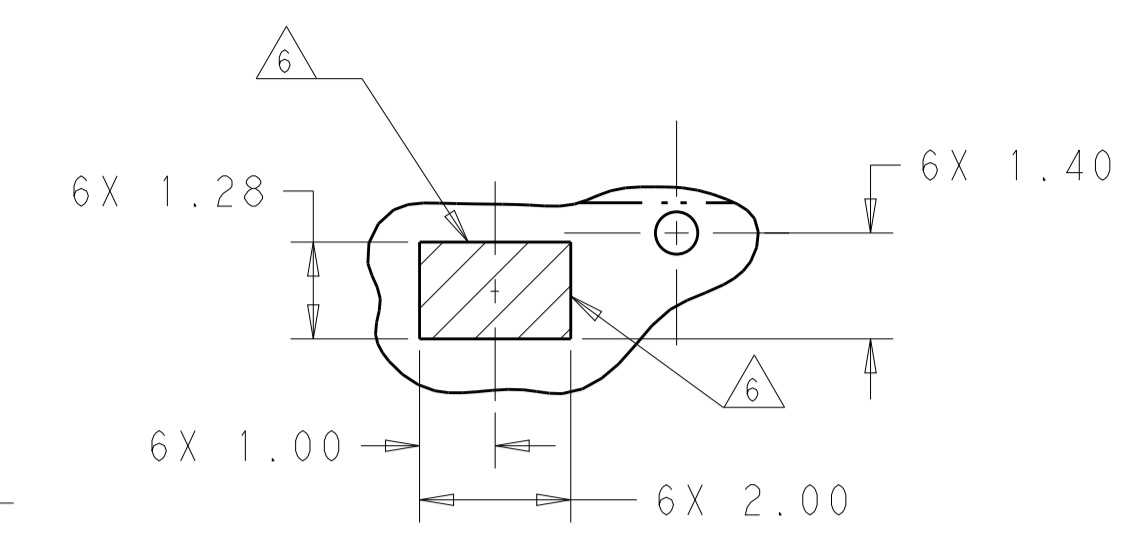
DETAIL G
 TYPICAL 3 PLACES
 SCALE 8:1

THIS DRAWING IS A CONTROLLED DOCUMENT.		DWN M_SHIRK 18JAN2013	TE Connectivity
DIMENSIONS: mm		CHK D_SZCZESNY 18JAN2013	
TOLERANCES UNLESS OTHERWISE SPECIFIED:		APVD	NAME
0 PLC \pm	1 PLC ± 0.25	PRODUCT SPEC	CAGE AND CONNECTOR ASSEMBLY,
2 PLC ± 0.15	3 PLC \pm	108-60102	WITH EMI GASKET, THRU BEZEL, 2X3,
4 PLC \pm	ANGLES \pm	APPLICATION SPEC	ZQSFP+ STACKED
MATERIAL	FINISH	114-60015	SIZE CAGE CODE DRAWING NO
SEE NOTE 1	SEE NOTE 2	WEIGHT	A100779C=2227668
CUSTOMER DRAWING		SCALE 4:1	RESTRICTED TO
		SHEET 3 OF 4	REV A

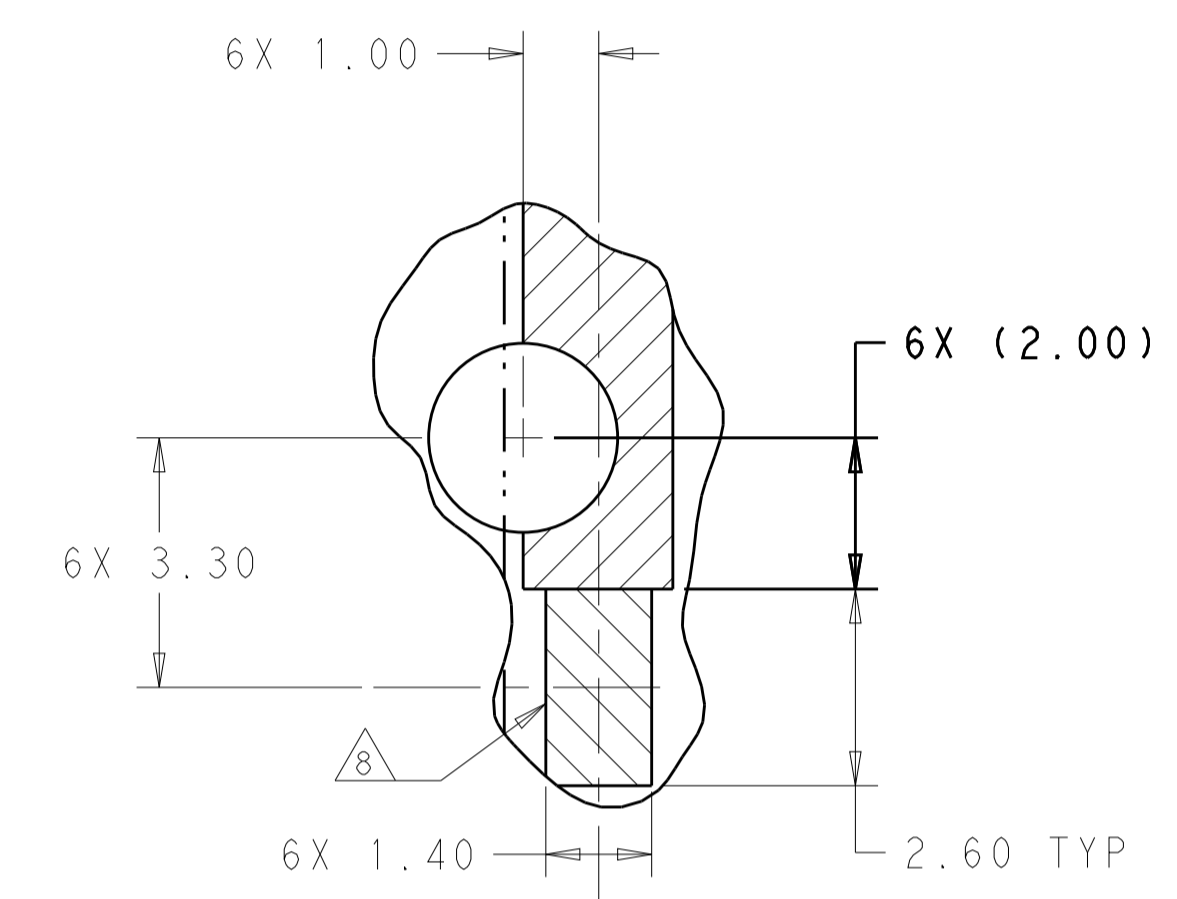
LOC		DIST		REVISIONS			
P	LTN	DESCRIPTION	DATE	DMN	APVD		
-	-	SEE SHEET 1	-	-	-		



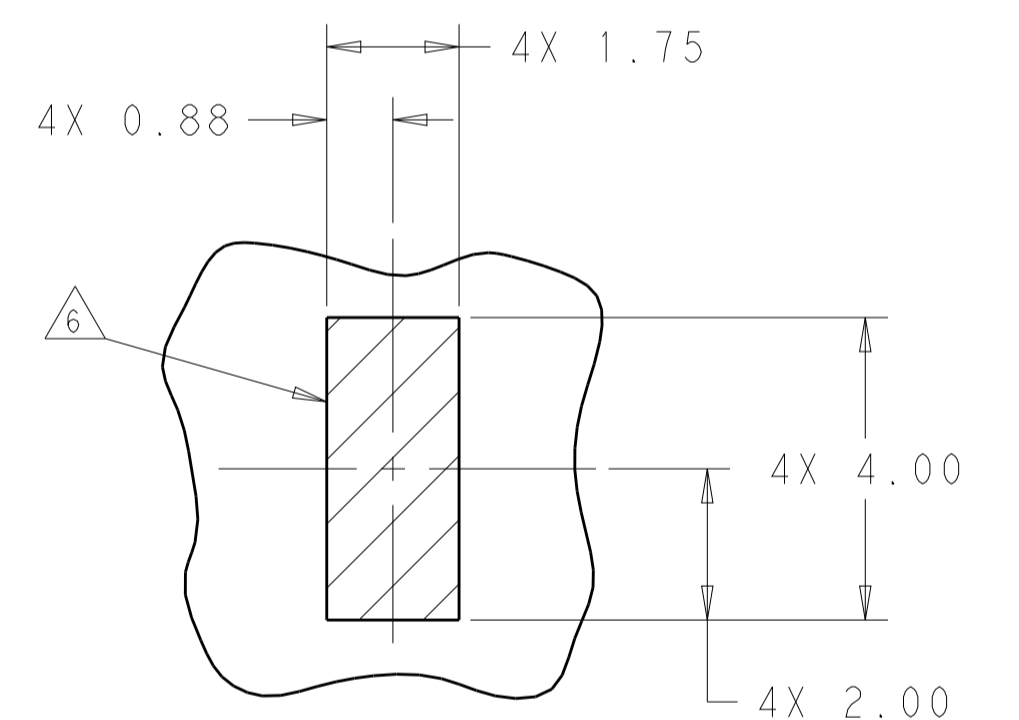
KEEPOUT AREAS
 COMPONENT SIDE OF BOARD
 SCALE 5:1



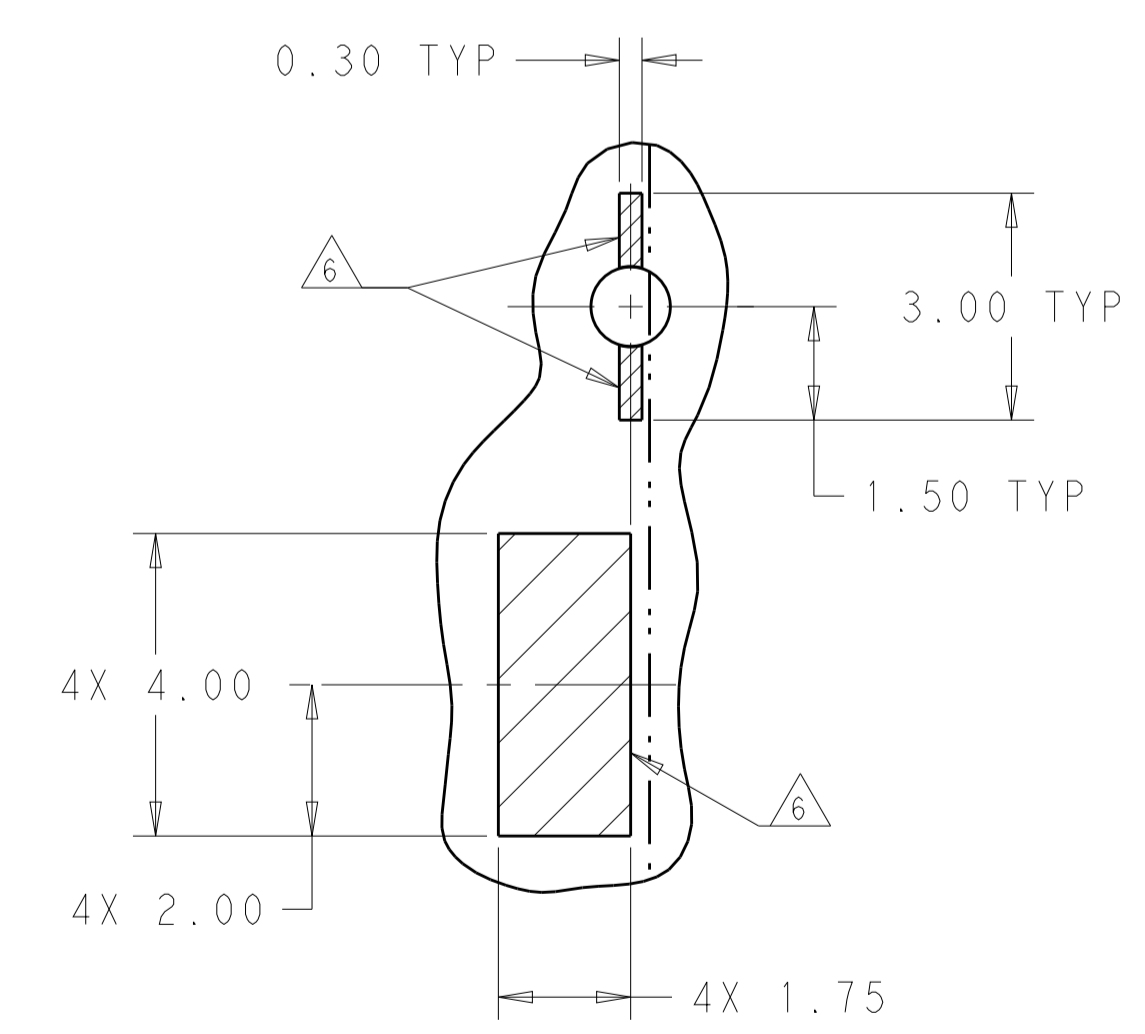
DETAIL H
 SCALE 10:1



DETAIL J
 LED PADS
 SCALE 10:1



DETAIL L
 SCALE 10:1



DETAIL K
 SCALE 10:1

THIS DRAWING IS A CONTROLLED DOCUMENT.		DMN M. SHIRK 18JAN2013	TE Connectivity
DIMENSIONS:		CHK D. SZCZESNY 18JAN2013	
mm	TOLERANCES UNLESS OTHERWISE SPECIFIED:	APVD	NAME
0 PLC	±	PRODUCT SPEC	CAGE AND CONNECTOR ASSEMBLY,
1 PLC	±0.25	108-60102	WITH EMI GASKET, THRU BEZEL, 2X3,
2 PLC	±0.15	APPLICATION SPEC	ZQSFP+ STACKED
3 PLC	±	114-60015	SIZE
4 PLC	±	WEIGHT	CAGE CODE
ANGLES	±	CUSTOMER DRAWING	DRAWING NO
MATERIAL	FINISH	SCALE 4:1	RESTRICTED TO
SEE NOTE 1	SEE NOTE 2	SHEET 4 OF 4	A100779C=2227668