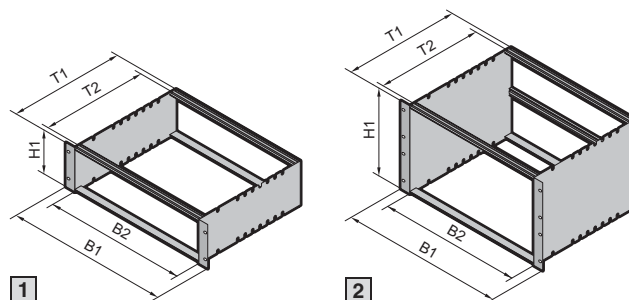


SUBRACKS

Ripac EASY

Ripac EASY 3 U, 6 U, Aluminum



B = Width
T = Depth

Material/surface finish:

Side panels:
2 mm aluminum, unplated
Horizontal rails:
extruded aluminum section,
noncorrosive
Flanges:
pre-anodized

Supply includes:

Side panels, flanges,
horizontal rails, tapped strips,
assembly screws

Tests:

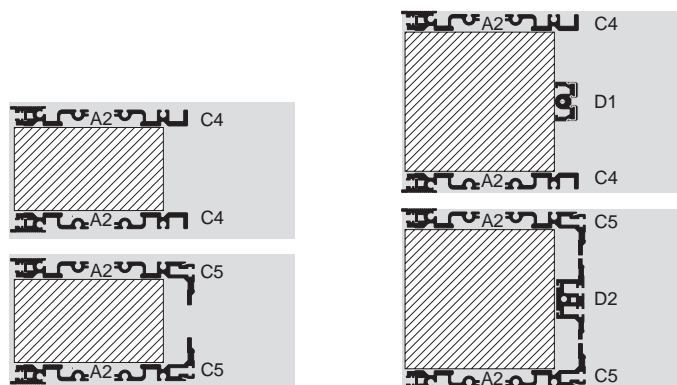
Shock- and vibration tested to:
IEC 600-68-2-6 test Fc
IEC 600-68-2-7 test Ea

Standards:

Ripac subracks are based on the system dimensions of
IEC 60 297-3

Note:

Backplanes can be mounted directly on the rear
horizontal rails. Isolating strips are not necessary.



1 Top: for backplane
Bottom: for connector

2 Top: for backplane
Bottom: for connector

					Order No.				Page
					1			2	
					3			6	
U (H1)	B1 mm	B2 HP	Side panel (T1) mm	T2 mm	Max. PCB depth mm	For backplane	For connector IEC 60 603-2	For backplane	For connector IEC 60 603-2
482.6 (19")	84		175	160	160	3634.100	3634.150	3634.180	3634.230
			235	220	220	3634.110	3634.160	3634.190	3634.240
			295	280	280	3634.120	3634.170	3634.200	3634.250
			355	340	340	3634.130	–	3634.210	–
			415	400	400	3634.140	–	3634.220	–
Accessories									
Covers									125
Horizontal rails									100
Guide rails									119