

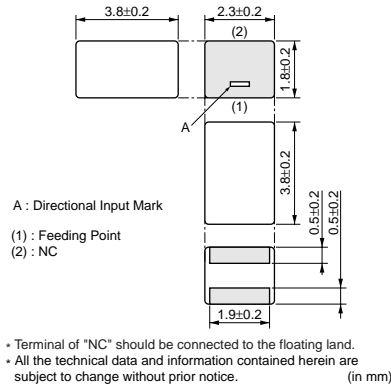
Chip Antennas

Chip Antennas

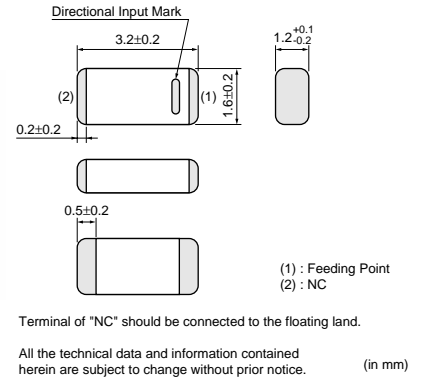
● LDA Series



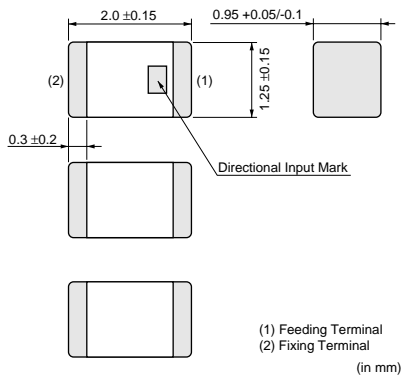
LDA2H2G6540G-254



LDA312G7313F-237



LDA212G3110K-282

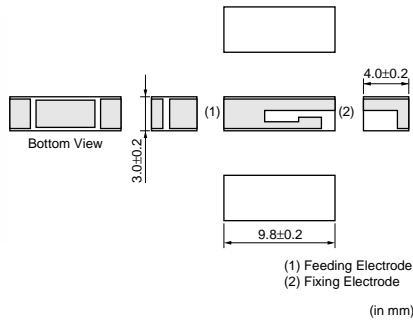


Part Number	Fo (MHz)	Bandwidth	VSWR (max.)
LDA212G3110K-282	2330	-	-
LDA212G4410K-283	2460	-	-
LDA212G6310K-284	2630	-	-
LDA212G8610K-285	2860	-	-
LDA213G1610K-286	3160	-	-
LDA2H2G6540G-254	2650	-	-
LDA312G4413H-280	2442	-	-
LDA312G7313F-237	2730	-	-
LDA313G0313F-240	3030	-	-
LDA313G3313F-243	3330	-	-
LDA315G2013F-246	5200	-	-
LDA316G2013F-250	6200	-	-

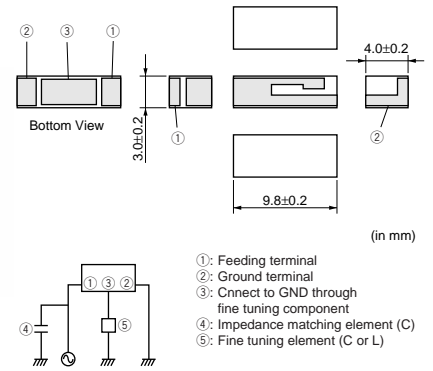
● ANC Series



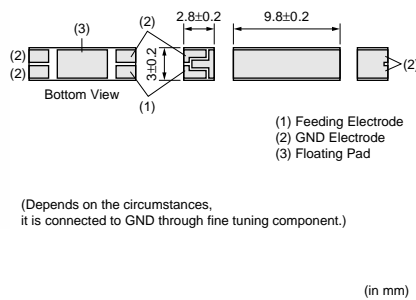
ANCG11G57SAA136



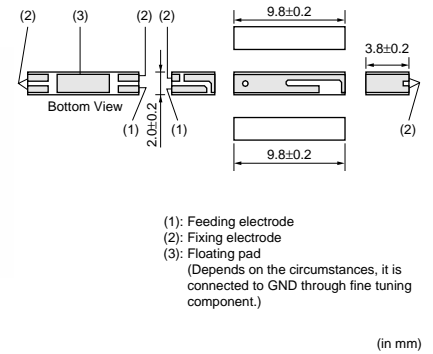
ANCG11G57SAA137



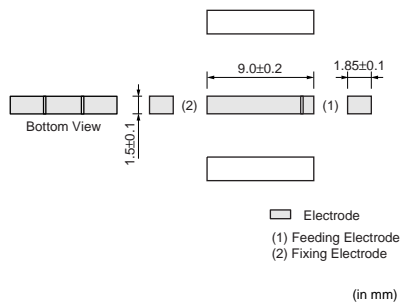
ANCG11G57SAA160



ANCG12G44SAA145
ANCG12G44SAA148



ANCV11G57SAA128



Part Number	Fo (MHz)	Bandwidth (MHz)	VSWR (max.)
ANCG11G57SAA136	1575	2	3.0
ANCG11G57SAA137	1575	2	3.0
ANCG11G57SAA146	1575	2	3.5
ANCG11G57SAA160	1575	2	3.5
ANCG12G44SAA145	2442	84	4.0
ANCG12G44SAA148	2442	84	4.0
ANCV11G57SAA128	1575	2	3.0
ANCV11G57SAA144	1575	2	3.5

ANCG series are available on ground plane. Please contact us for detail specifications.