

DWG. NO.
SD-49748-001

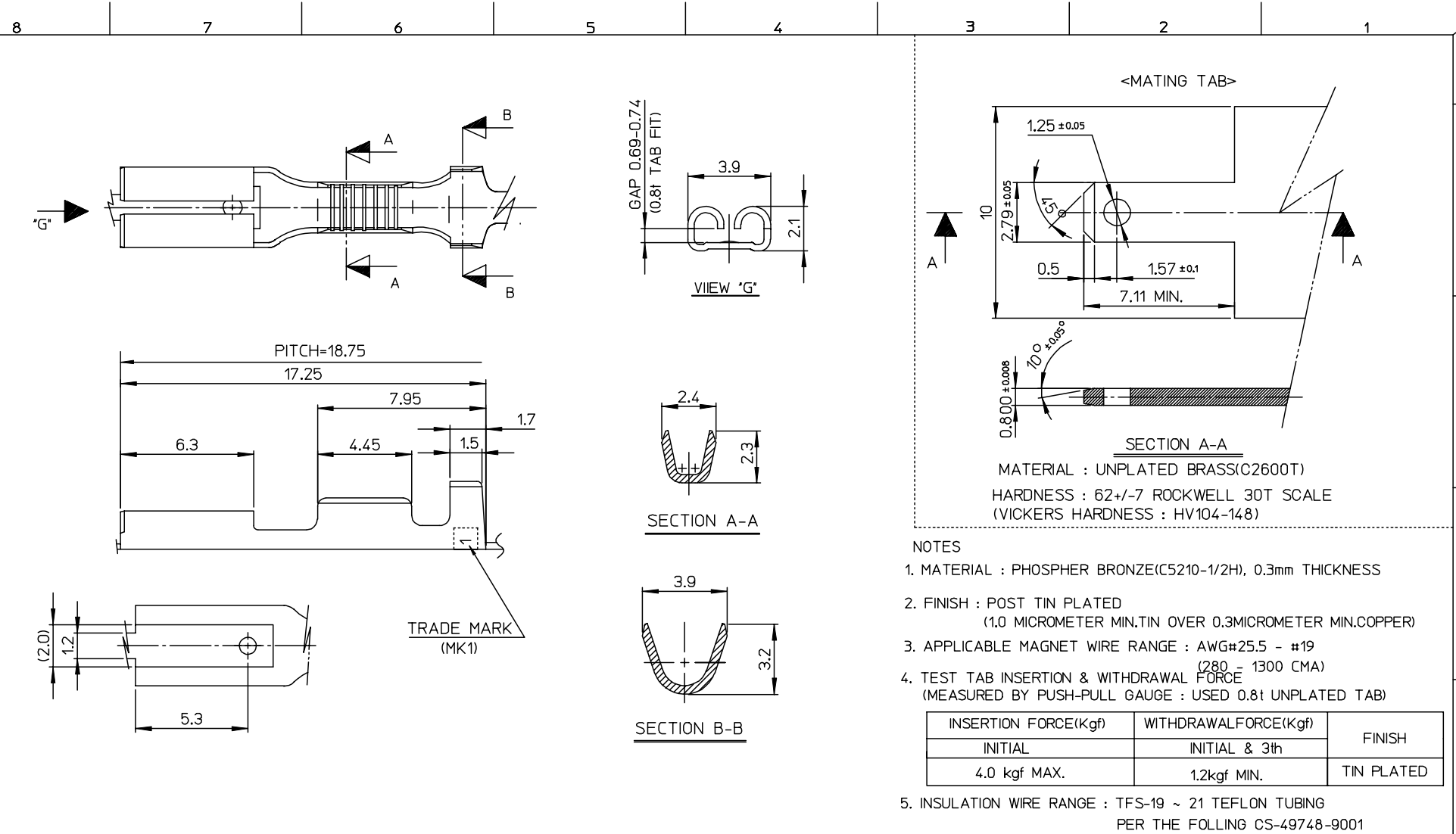
SIMILAR ITEM

PROJECT NO.

C

B

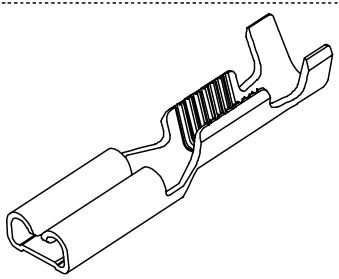
DO NOT SCALE DRAWING
DIMENSION IN METRIC



- NOTES
- MATERIAL : PHOSPHOR BRONZE(C5210-1/2H), 0.3mm THICKNESS
 - FINISH : POST TIN PLATED
(1.0 MICROMETER MIN.TIN OVER 0.3MICROMETER MIN.COPPER)
 - APPLICABLE MAGNET WIRE RANGE : AWG#25.5 - #19
(280 = 1300 CMA)
 - TEST TAB INSERTION & WITHDRAWAL FORCE
(MEASURED BY PUSH-PULL GAUGE : USED 0.8t UNPLATED TAB)

INSERTION FORCE(Kgf)	WITHDRAWAL FORCE(Kgf)	FINISH
INITIAL	INITIAL & 3th	TIN PLATED
4.0 kgf MAX.	1.2kgf MIN.	

5. INSULATION WIRE RANGE : TFS-19 ~ 21 TEFLON TUBING
PER THE FOLLING CS-49748-9001



PRELIMINARY REVISED ECN NO. KOR2007-0167 DRWN: JH.PARK 07/06/25 CHK: W.Y.YANG APPR: EHLJUNG	QUALITY SYMBOLS MAJOR $\nabla = 0$ CRITICAL $\nabla C = 0$	GENERAL TOLERANCES: (UNLESS SPECIFIED)		SCALE 7:1	DESIGN UNITS <input checked="" type="checkbox"/> mm <input type="checkbox"/> INCH	THIRD ANGLE PROJECTION	DIMENSIONS: <input type="checkbox"/> mm <input type="checkbox"/> INCH <input checked="" type="checkbox"/> mm ONLY	SHT	REV	
		4 PLACES	$\pm 0.$	$\pm -$	DRAWN BY & DATE C.B.CHIN 04/03/16		TITLE: .110 RECEPTACLE TERMINAL (MAGNET WIRE)			
		3 PLACES	$\pm 0.$	$\pm -$	CHECKED BY & DATE W.Y.YANG 04/03/16		MOLEX INCORPORATED			
		2 PLACES	± 0.30	$\pm -$	APPROVED BY & DATE C.W.LEE 04/03/16					
1 PLACE	± 0.30	$\pm -$	ANGULAR: $\pm 1^\circ$		CAD FILENAME S49748AAMI	MATERIAL NO. 497489001	DRAWING NO. SD-49748-001	SHEET NO. 1 OF 1		
B	REV	DRAFT WHERE APPLICABLE MUST REMAIN WITHIN DIMENSIONS			THIS DRAWING CONTAINS INFORMATION THAT IS PROPRIETARY TO MOLEX INCORPORATED AND SHOULD NOT BE USED WITHOUT WRITTEN PERMISSION.					SIZE B