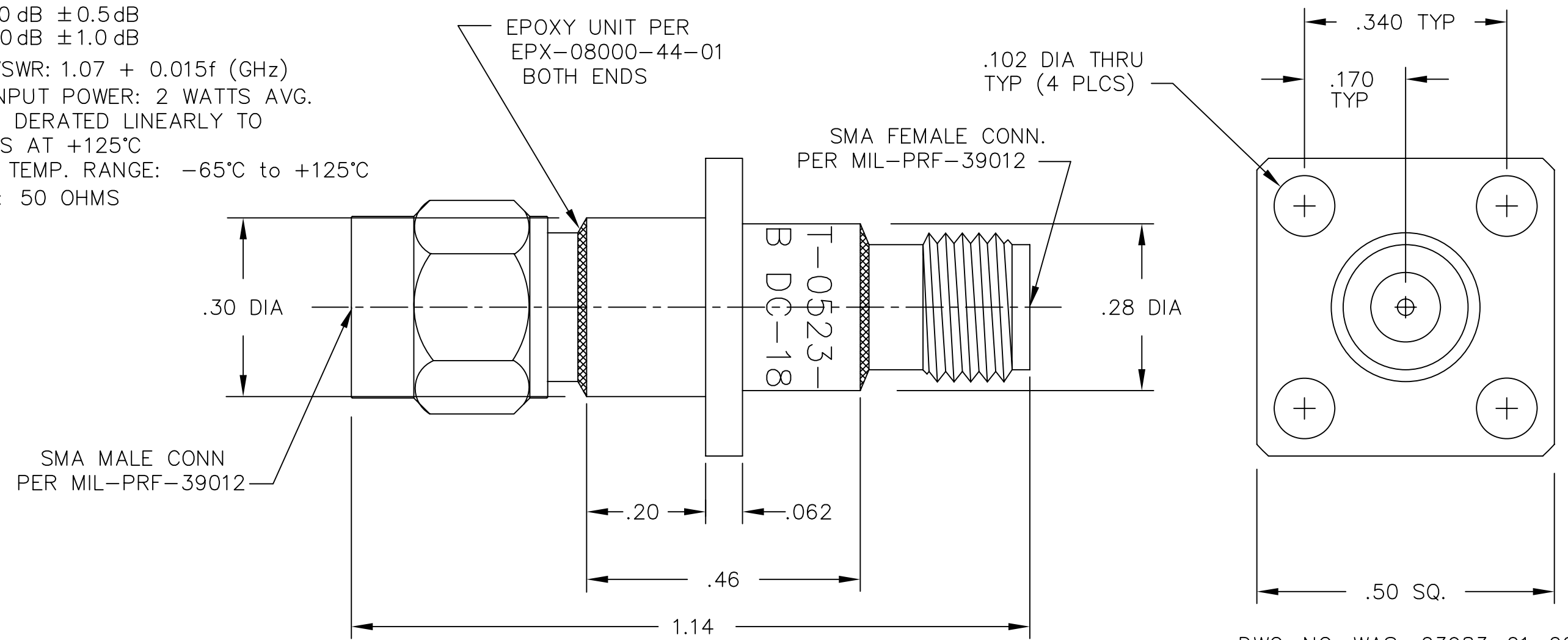


NOTES:

1.0 ELECTRICAL SPECIFICATIONS:

- 1.1 FREQUENCY RANGE: DC to 18.0 GHz
- 1.2 ATTENUATION VALUES: 1 THRU 30dB  
IN 1dB INCREMENTS
- 1.3 ATTENUATION ACCURACY:  
0dB +0.3/-0dB  
1 - 6 dB ±0.30dB  
7 - 20 dB ±0.5dB  
21 - 30dB ±1.0 dB
- 1.4 MAXIMUM VSWR: 1.07 + 0.015f (GHz)
- 1.5 MAXIMUM INPUT POWER: 2 WATTS AVG.  
AT +25°C DERATED LINEARLY TO  
0.5 WATTS AT +125°C
- 1.6 OPERATING TEMP. RANGE: -65°C to +125°C
- 1.7 IMPEDANCE: 50 OHMS

- 2.0 MARKING:  
2.1 MARK UNIT AS SHOWN  
(REF.: INK-04189-27-XX)



DWG. NO. WAS: 03983-01-00

UNLESS OTHERWISE NOTED DIMENSIONS ARE IN INCHES AND TOLERANCES ARE:		FSCM NO. <b>34078</b>		<b>MIDWEST MICROWAVE</b>	
3 PLACE DECIMALS ±.005		NOTICE: The information contained in this drawing is proprietary and must not be used without the permission of Midwest Microwave		TITLE ATTENUATOR	
2 PLACE DECIMALS ±.02					
FRACTIONS ±1/64		DRAWN/DATE A.BEATTY 7/19/91		ENG./DATE G.KOZAK 7/19/91	
PARALLELITY: T.I.R. _____		CHECKED/DATE C.RICKARD 7/19/91		APPROVED/DATE	
FLATNESS: T.I.R. _____		DRAWING NUMBER ATT-0523-XX-SMA-02		SCALE: 5=1	
CONCENTRICITY: T.I.R. _____		ANGLES AND PERPENDICULARITY: ±1'		SHEET 1 of 1	

REV.	DESCRIPTION	DATE
-	RELEASED	5/10/82
A	ECR 1616	8/2/82
B	ECR 3603	5/22/85
C	ECR 6545 (RENUMBER)	7/20/89
D	ECN 10779	7/19/91
E	ECN 11260	11/26/91
F	ECN 12565	4/14/93
G	ECN 13324	2/10/94
G1	ADDED TITLEBLOCK	4/7/05